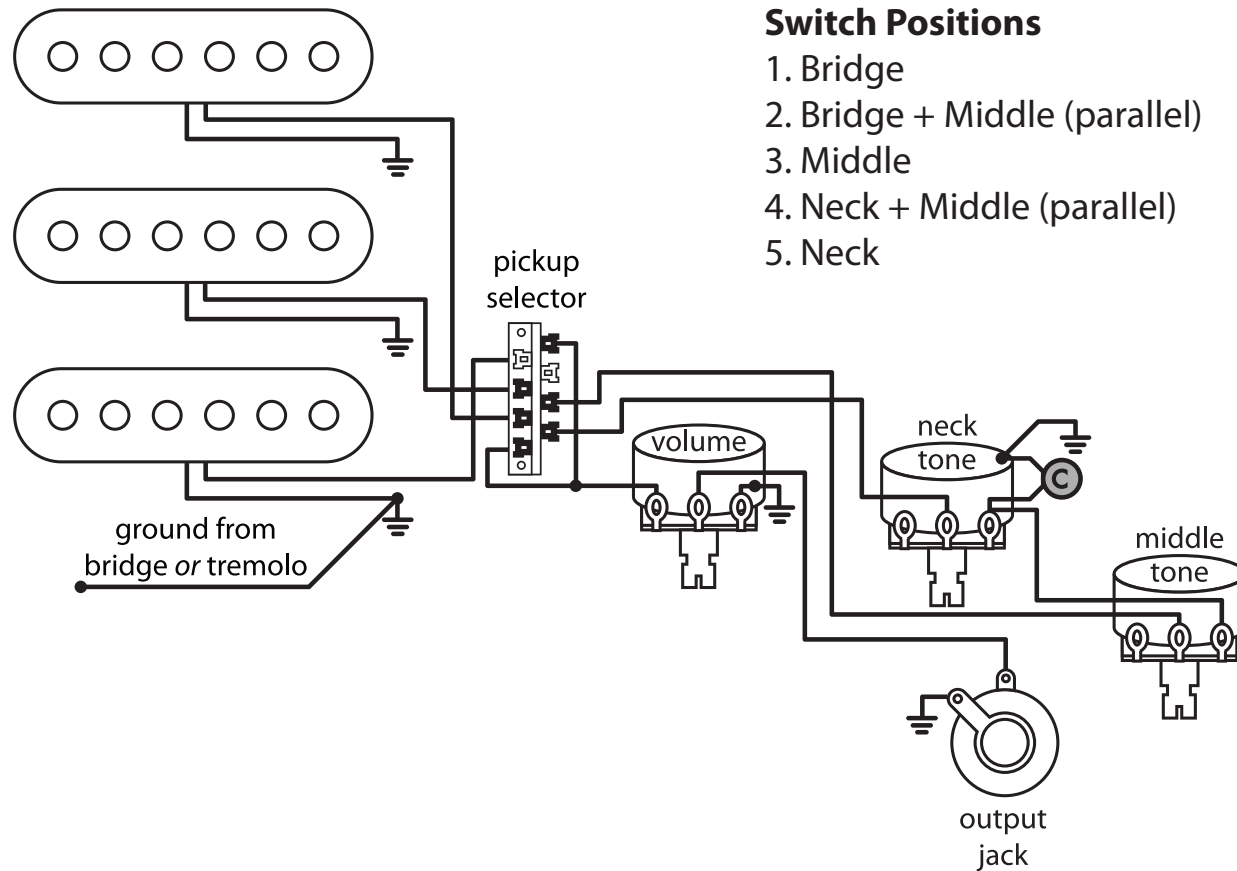


3 SINGLE COIL CONFIGURATION

1 Volume, 2 Tone Pots | 5-Way Lever Switch



Switch Positions

1. Bridge
2. Bridge + Middle (parallel)
3. Middle
4. Neck + Middle (parallel)
5. Neck



www.porterpickups.com | info@porterpickups.com

 = solder to ground