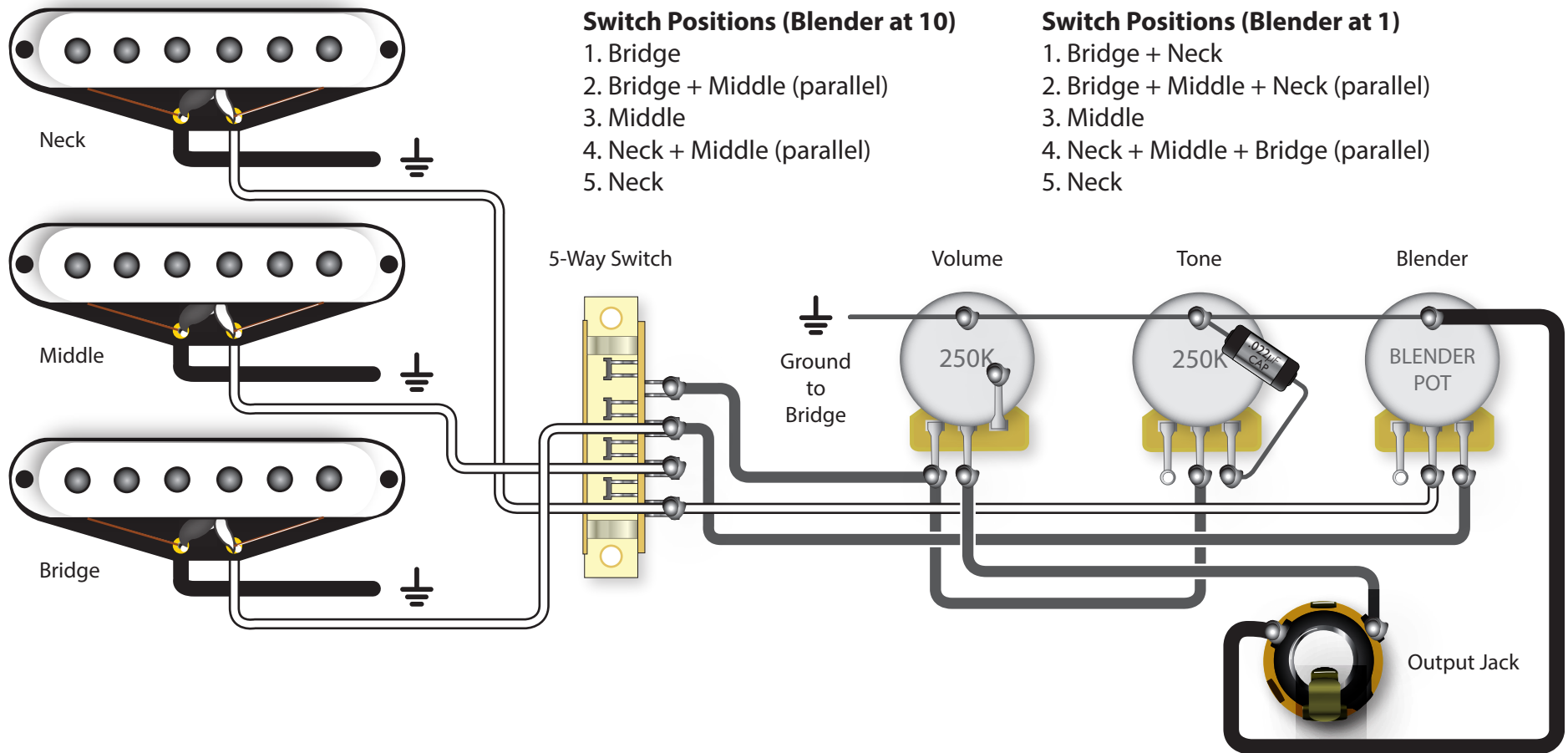


STRAT® BLENDER CONFIGURATION

1 Volume, 1 Tone, 1 Blender Pot | 5-Way Switch



Switch Positions (Blender at 10)

1. Bridge
2. Bridge + Middle (parallel)
3. Middle
4. Neck + Middle (parallel)
5. Neck



Switch Positions (Blender at 1)

1. Bridge + Neck
2. Bridge + Middle + Neck (parallel)
3. Middle
4. Neck + Middle + Bridge (parallel)
5. Neck



www.porterpickups.com | info@porterpickups.com

Key

-  Solder joint
-  Ground connection
(Usually soldered to rear of volume pot)