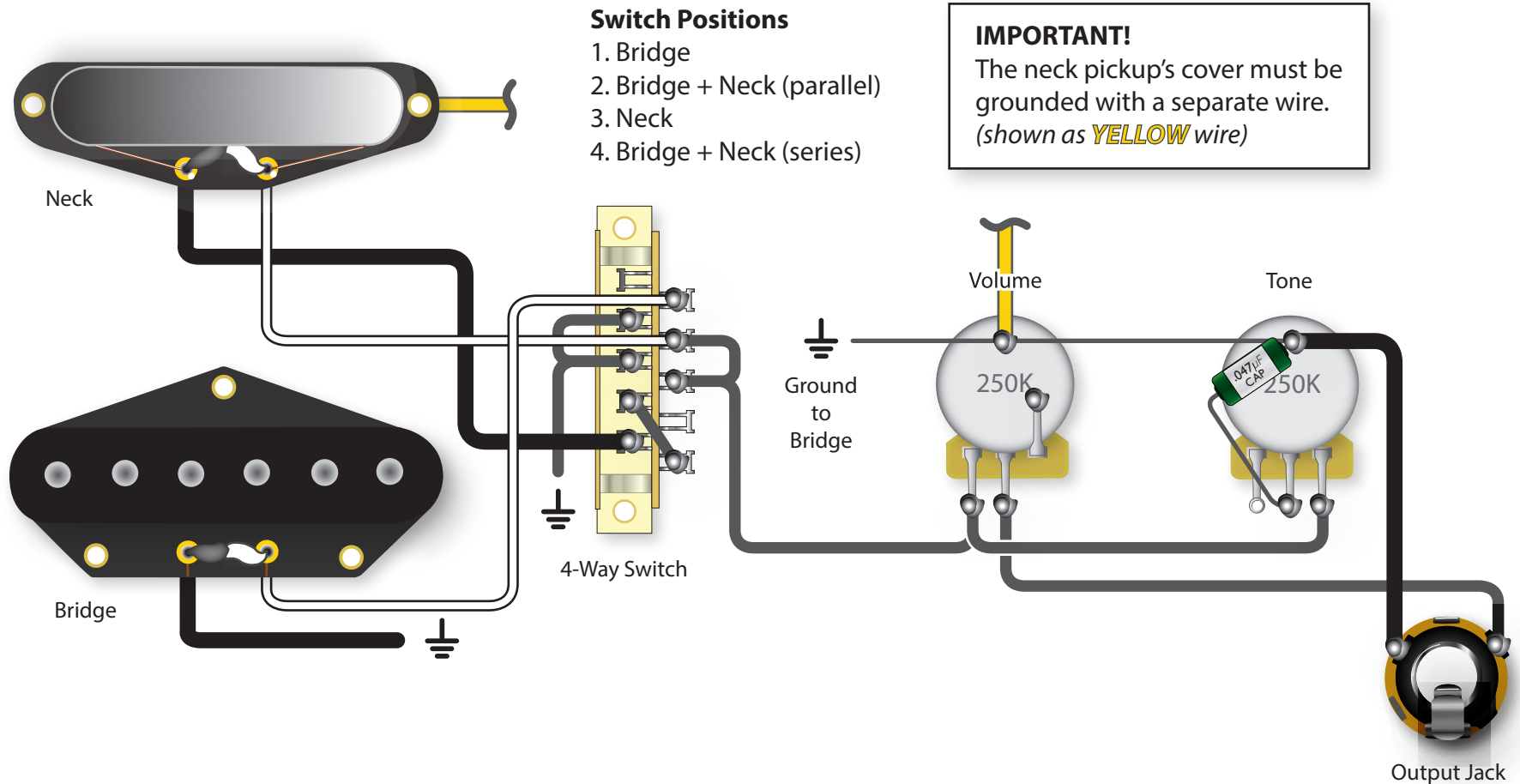


TELECASTER® 4-WAY CONFIGURATION

1 Volume, 1 Tone Pot | 4-Way Switch



www.porterpickups.com | info@porterpickups.com

Key



Solder joint



Ground connection

(Usually soldered to rear of volume pot)